

VariCel® V EX

COMPACT FILTER FOR EXPLOSION HAZARD ZONES



Features and Benefits

- ISO 16890: ePM10 and ePM1
- Lightweight and easy to install
- Water repellent filter media
- Required ATEX documentation supplied with filters
- Grounding cables and fastening hardware provided with each filter

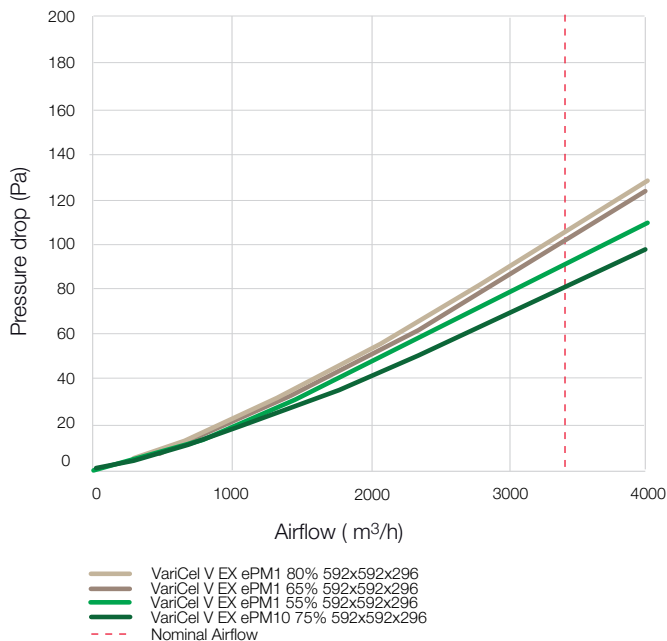
Applications

The VariCel V EX air filter provides directive-compliant safety over the entire range of ATEX hazardous zones. Combined with its high filtration efficiency the VariCel V EX filter is ideally suited for use in potentially explosive environments.

Configurations

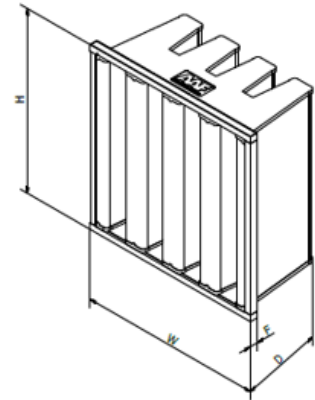
Filter media	Glass fibre
Pack design	Mini-pleat V-shape
Separator	Hot-melt
Gasket (optional)	Polyurethane foamed endless gasket
Header	Lightweight plastic frames made of electrically dissipative plastic
Max. operating temperature	80 °C
Recom. final pressure drop	Subject to optimization of lifecycle costs, max 450 Pa
Recom. airflow range	75% - 125% (of nominal airflow)
Moisture resistance	100% relative humidity
Ex protection characterization according 2014/34/EU	II 1G Ex h IIC Ga II 1D Ex h IIIB Da

Performance VariCel V EX



VariCel® V EX

COMPACT FILTER FOR EXPLOSION HAZARD ZONES



Technical data

Filter name	Dimensions (mm) W x H x D	Filter area (m ²)	Number of V's	Initial dp @ nominal airflow (Pa)	Nominal airflow (m ³ /h)	Prev. rated EN779:2012	ISO 16890 Classification	Average values		
								ePM1 (%)	ePM2,5 (%)	ePM10 (%)
VariCel V EX ePM10 75%	287x287x296	2	1	50	390	M6	ePM10 75%	30%	42%	75%
	287x592x296	8,5	2	80	1600	M6	ePM10 75%	30%	42%	75%
	490x592x296	12,8	3	80	2450	M6	ePM10 75%	30%	42%	75%
	592x287x296	7,3	4	75	1450	M6	ePM10 75%	30%	42%	75%
	592x592x296	17,6	4	80	3400	M6	ePM10 75%	30%	42%	75%
VariCel V EX ePM1 55%	287x287x296	2	1	60	390	F7	ePM1 55%	56%	67%	88%
	287x592x296	8,5	2	90	1600	F7	ePM1 55%	56%	67%	88%
	490x592x296	12,8	3	90	2450	F7	ePM1 55%	56%	67%	88%
	592x287x296	7,3	4	90	1450	F7	ePM1 55%	56%	67%	88%
	592x592x296	17,6	4	90	3400	F7	ePM1 55%	56%	67%	88%
VariCel V EX ePM1 65%	287x287x296	2	1	80	390	F8	ePM1 65%	67%	76%	92%
	287x592x296	8,5	2	100	1600	F8	ePM1 65%	67%	76%	92%
	490x592x296	12,8	3	100	2450	F8	ePM1 65%	67%	76%	92%
	592x287x296	7,3	4	100	1400	F7	ePM1 55%	55%	65%	85%
	592x592x296	17,6	4	100	3400	F8	ePM1 65%	67%	76%	92%
VariCel V EX ePM1 80%	287x287x296	2	1	95	390	F9	ePM1 80%	81%	86%	96%
	287x592x296	8,5	2	105	1600	F9	ePM1 80%	81%	86%	96%
	490x592x296	12,8	3	115	2450	F9	ePM1 80%	81%	86%	96%
	592x287x296	7,3	4	105	1400	F9	ePM1 80%	81%	86%	96%
	592x592x296	17,6	4	105	3400	F9	ePM1 80%	81%	86%	96%

From January 1st 2018 filtration efficiency values are certified according to ISO 16890.



Bringing clean air to life:

AAF International
European Headquarters
Odenwaldstrasse 4, 64646 Heppenheim
Tel: +49 (0)6252 69977-0
aafeuropa.com

American Air Filter Company, Inc. has a policy of continuous product improvement. This document is provided for informal review and establishes no commitment or contract. We reserve the right to change any designs, specifications and products without notice, and we make no warranties regarding the subject matter of this document. Any use, copying or distribution of this document or any part of this document without our permission is prohibited.

© 2020 American Air Filter Company, Inc.
CF_413_EN_072021